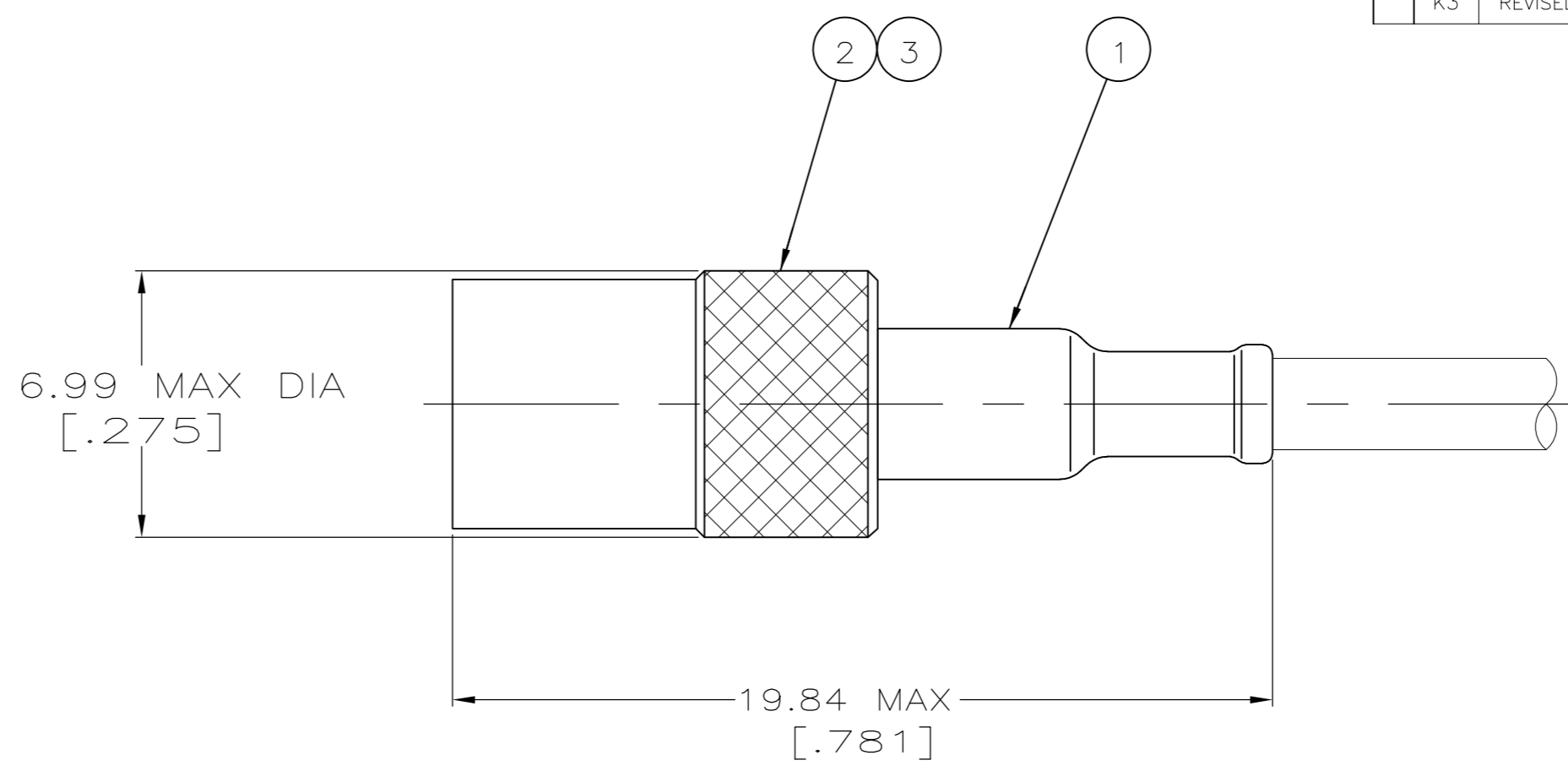


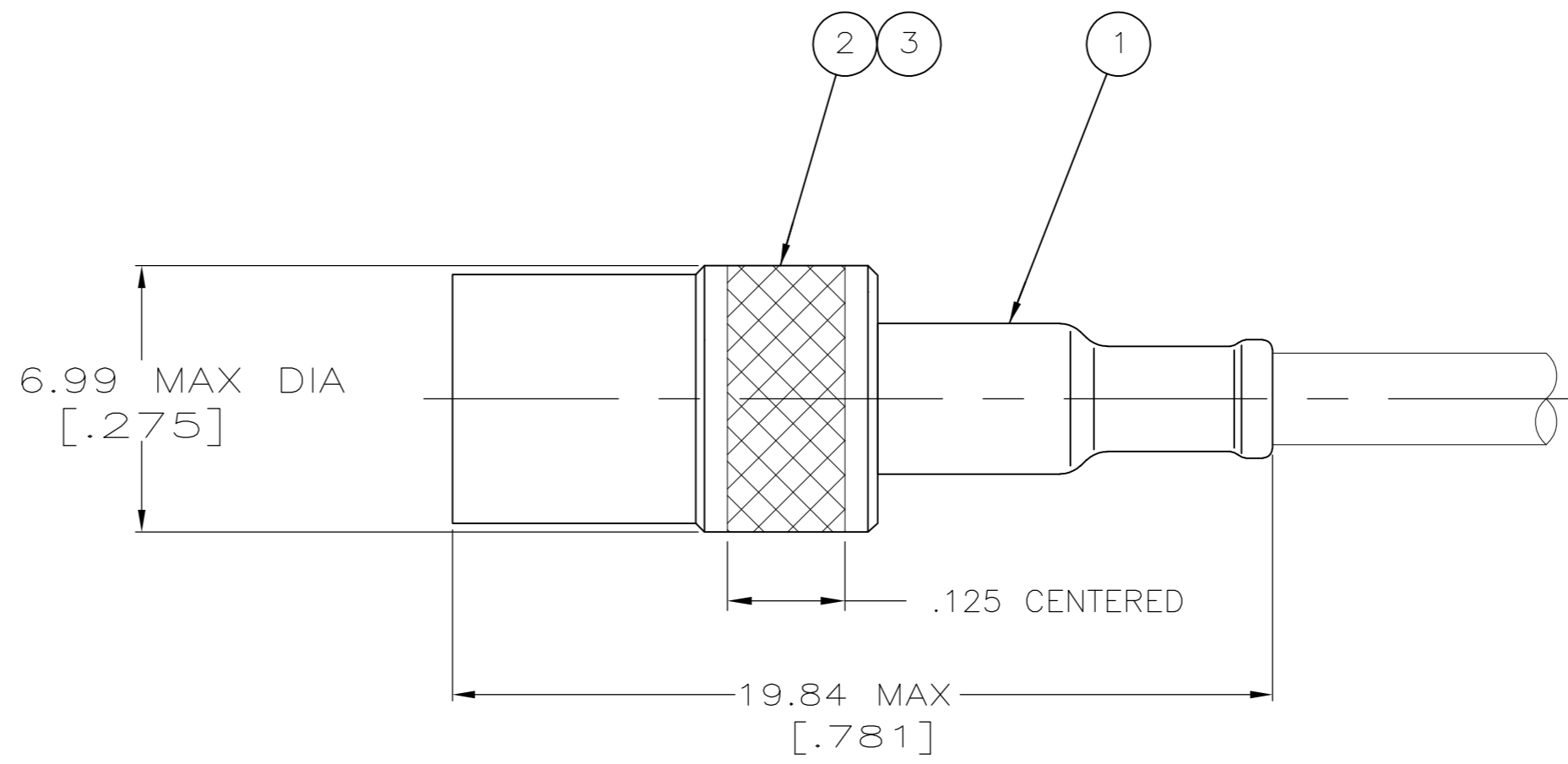
THIS DRAWING IS UNPUBLISHED. RELEASED FOR PUBLICATION
 © COPYRIGHT - By - ALL RIGHTS RESERVED.

LOC		DIST		REVISIONS					
AJ		16		P	LTR	DESCRIPTION	DATE	DWN	APVD
				K3		REVISED PER ECO-14-012491	15AUG14	AM	MY

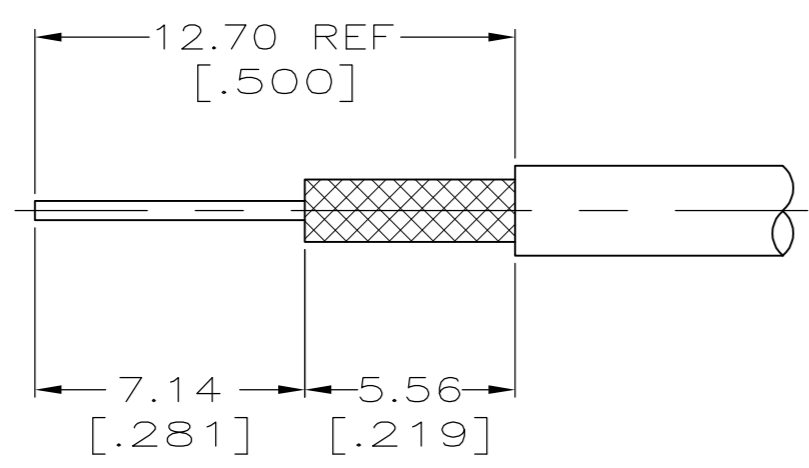
- 1. PARTS PACKAGED UNASSEMBLED
- 2. CRIMP TOOL: 69143
- 3. SEE I.S. 1771
- ⚠️ OBSOLETE PARTS: OBSOLETE CIS STREAMLINING PER D.RENAUD/D.SINISI
- ⚠️ RESTRICTED SALES TO PROVIBTECH



VIEW A



VIEW B



RECOMMENDED STRIP LENGTH

⚠️	B	RG-180/U,180A/U & 195/U	330595-2	1-328695-5	3-329049-0	1-330723-3
	A	RG-180/U,180A/U & 195/U	330595-1	1-328695-3	3-329049-0	1-330723-2
⚠️ OBSOLETE	A	RG-180/U,180A/U & 195/U	330595	1-328695-2	329049	1-330723-1
	A	RG-180/U,180A/U & 195/U	330595	328695	329049	1-330723-0
VIEW		CABLE SIZE	Ⓝ 3 PLUG ASSY QTY=1	Ⓝ 2 COLLAR, RETAINING QTY=1	Ⓝ 1 FERRULE QTY=1	PART NUMBER

THIS DRAWING IS A CONTROLLED DOCUMENT.

DIMENSIONS: INCHES	TOLERANCES UNLESS OTHERWISE SPECIFIED:	DWN: B.WERNER 6-20-91	TE TE Connectivity
	0 PLC ± -	CHK: G.MICHAEL 23/APR/93	
	1 PLC ± -	APVD: G.MICHAEL 23/APR/93	
	2 PLC ± 0.41 [.016]	NAME: G.MICHAEL	
	3 PLC ± -	PRODUCT SPEC: 108-12013	
MATERIAL: -	FINISH: -	APPLICATION SPEC: -	RESTRICTED TO: -
CUSTOMER DRAWING		WEIGHT: -	SCALE: 5:1
		SIZE: A2	SHEET: 1 of 1
		CAGE CODE: 00779	REV: K3
		DRAWING NO: C-330723	